

SPDs for Telecommunication and Data Networks

DT-CAT 6A/EA

Class II • Type 2



- Support for Power over Ethernet + up to 1 A (PoE+ according to IEEE 802.3at)
- CAT 6A in the channel according to ANSI/TIA/EIA-568
- For installation in conformity with the lightning protection zone concept at the boundaries from 0 -2 and higher

The "PoE Surge Protector" permits the use of Power over Ethernet with nominal currents of up to 1 A. It can be snapped directly onto the hat rail and uses it to create the necessary equipotential bonding. Alternatively, terminal protection using a separately connectable

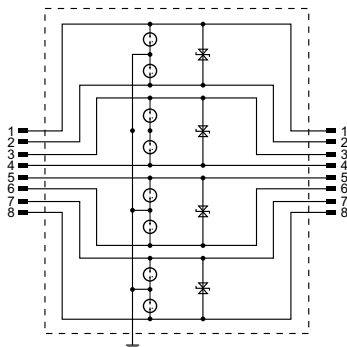
Technical Data

DT-CAT 6A/EA

IEC Electrical

SPD according to EN 61643-21 / IEC 61643-21		type 2 / class II
Max. continuous operating a.c. voltage	U_c	41 V
Max. continuous operating d.c. voltage	U_c	58 V
Max. continuous operating d.c. voltage pair-pair (PoE)	U_c	57 V
Rated current	I_L	1 A
D1 Lightning impulse current (10/350 μ s) per line	I_{imp}	1 kA
C2 Nominal discharge current (8/20 μ s) line-line	I_n	150 A
C2 Nominal discharge current (8/20 μ s) line-PG	I_n	2,5 kA
C2 Total nominal discharge current (8/20 μ s) line-PG	I_n	10 kA
C2 Nominal discharge current (8/20 μ s) pair-pair (PoE)	I_n	150 A
Voltage protection level line-line for In C2	U_p	< 190 V
Voltage protection level line-PG for In C2	U_p	< 600 V
Voltage protection level pair-pair for In C2 (PoE)	U_p	< 600 V
Voltage protection level line-line at 1 kV/ μ s C3	U_p	< 145 V
Voltage protection level line-PG at 1 kV/ μ s C3	U_p	< 500 V
Voltage protection level pair-pair at 1 kV/ μ s C3 (PoE)	U_p	< 600 V
Insertion loss at 250 MHz		< 2 dB
Capacitance line-line	C	< 165 pF
Capacitance line-PG	C	< 255 pF
Range of operating temperatures	T_u	-40 °C / +80 °C
Degree of protection		IP 20
Connection (input / output)		RJ 45 / RJ 45
Pinning		1/2, 3/6, 4/5, 7/8
Enclosure material		Aluminum housing
Earthing via		Connecting line
Transmission class according to ISO/IEC 11801		Cat. 6
Transmission class according to EN 50173-1		Class EA
Transmission class according to ANSI/TIA/EIA-568		Cat. 6A in the channel

Basic circuit diagram



Dimensions

